

INSTALLATION MANUAL

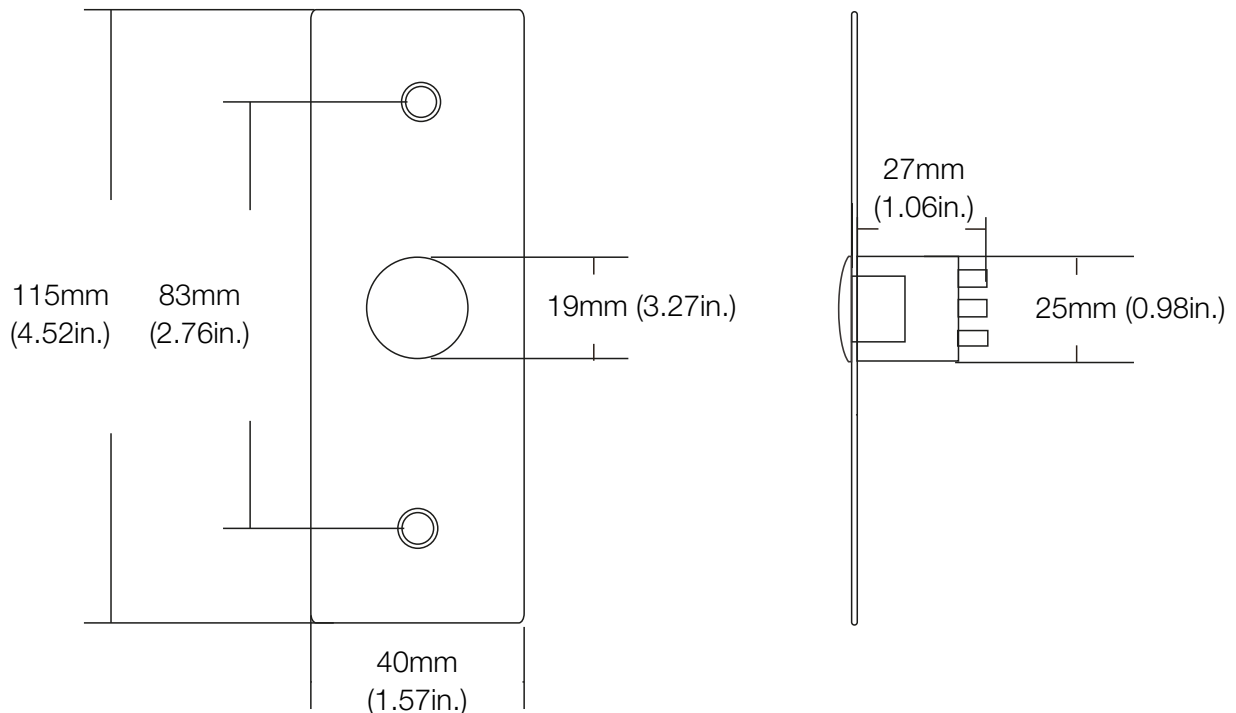
**Stainless Steel Exit Button – Slim, Durable,
and Reliable Access Control Solution**



Front View



Rear View



Exit Button Wiring Diagram

	Green: NO
	White: NC
	Yellow: COM

- (1) Push-button dry contact rating: 250VAC 5A. For safe operations, do not exceed the ratings above.
- (2) For normally open requirements, connect wires to N.O dry contact of PUSH-BUTTON.
- (3) For normally closed requirements, connect wire to N.C dry contact of PUSH-BUTTON.