

INSTALLATION MANUAL

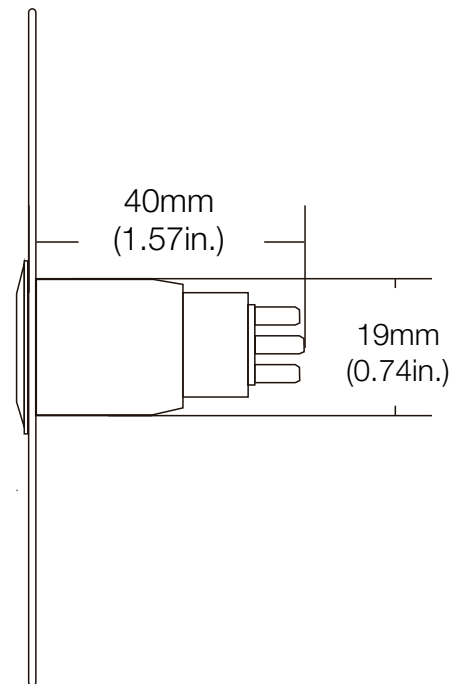
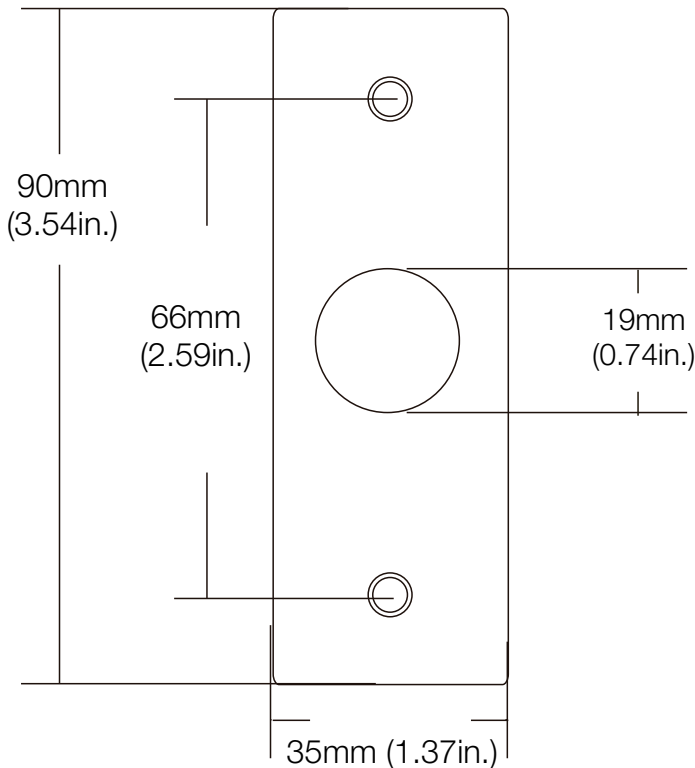
All-Weather Exit Button - Sleek Compact Stainless Steel Solution with LED Light for Indoor & Outdoor Access Control



Front View



Side View



Disclaimer: ZEMGO reserve the right to go ahead with any modifications of models or features or price without forewarning. All the information and specifications stated in this document are current at the time of publication. **Attention:** We are not responsible for the improper installation of this product. If you are not handy with electrical equipment you should contact a professional electrician. You will also need to check with your local Fire authority to see if you need anything else to comply with local Fire Codes. We are not responsible for any damage or fees that can occur.

Exit Button Wiring Diagram

	Green (1): COM
	Green (2): COM
	White: NC
	Yellow: NO
	Red: +12VDC
	Black: -GND

- (1) Push-button dry contact rating: 250VAC 5A. For safe operations, do not exceed the ratings above.
- (2) For normally open requirements, connect wires to N.O dry contact of PUSH-BUTTON.
- (3) For normally closed requirements, connect wire to N.C dry contact of PUSH-BUTTON.
- (4) LED Supply Voltage POWER: DC-12V.